

# OFFROAD 1320

## Glazing Robot



Max Load  
**1320 lbs**

Vertical  
Working Height  
**12' 0"**

Max  
Overhead Height  
**13' 6"**





The MAVLift 1320 Offroad is the largest electric model in the off-road series. Built with smooth precision controls, the MAVLift 1320 is great for serious glaziers installing heavy duty commercial glass.

With a maximum lifting capacity of 1320 lbs and the ability to lift glass 660 lbs seamlessly into the overhead position, the MAVLift 1320 is an all around versatile glazing tool. In addition to glass, the MAVLift 1320 is great for installing materials such as granite, or aluminum panels.

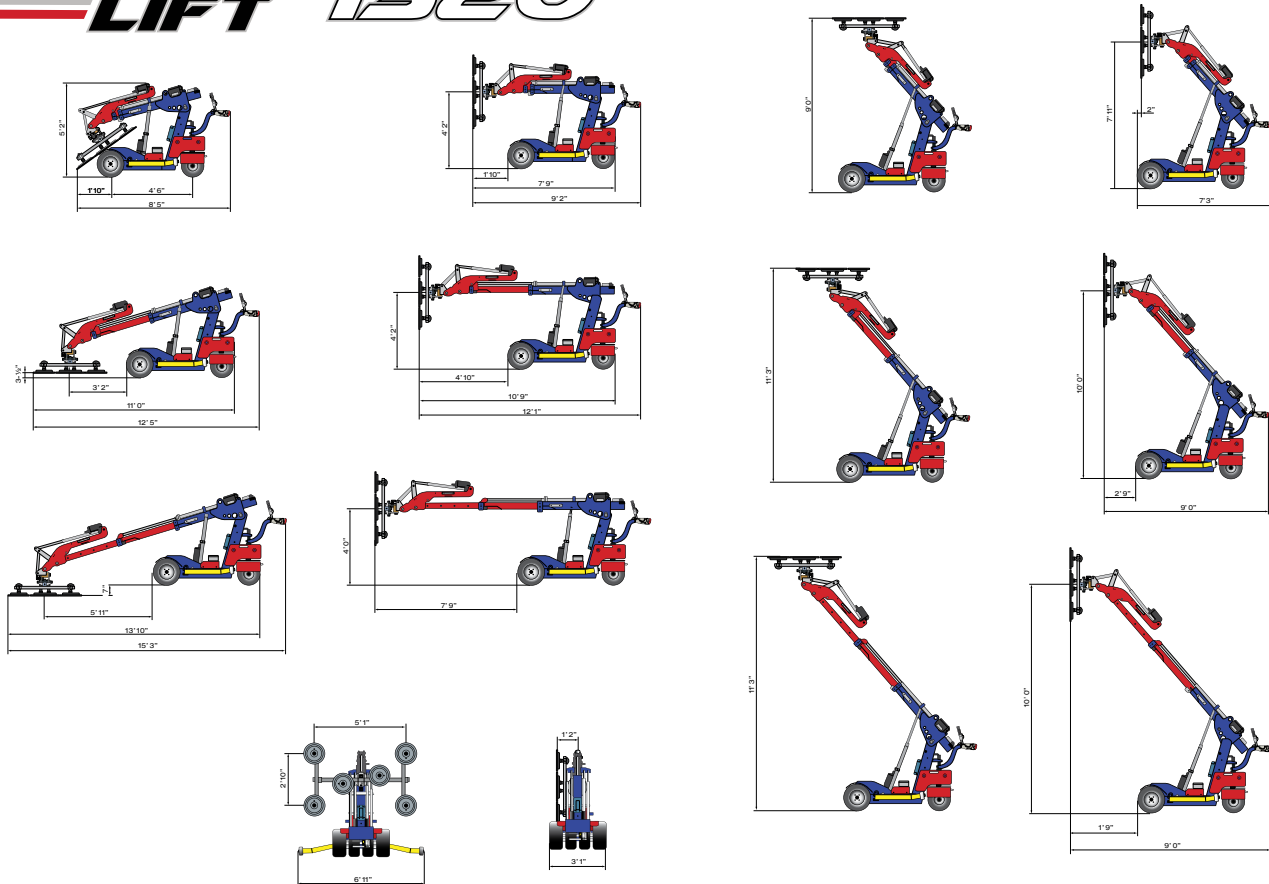
Standard features include the advanced articulating joint, four inches of machine side shift, a tethered remote control, 90 degree slew for transporting glass, and an adjustable vacuum frame.

# Dimensions

**MAV  
LIFT**

**OFFROAD  
1320**

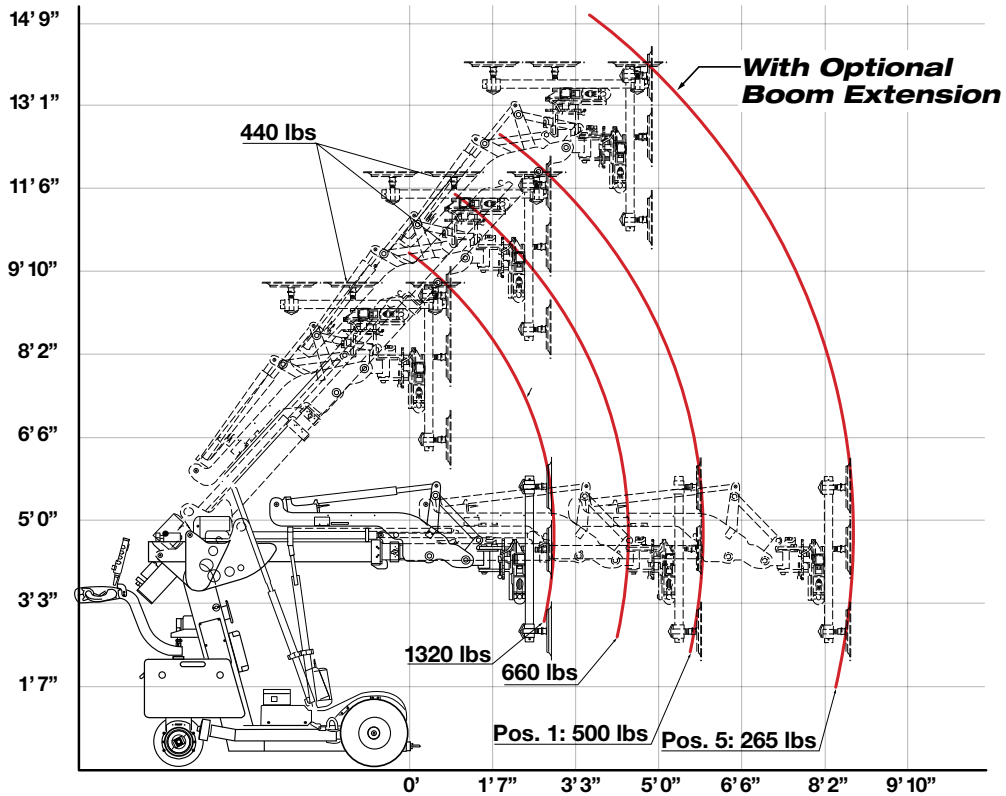
**Dimensions**



For busy jobsites, add a Forklift Platform or some Load Forks to turn your MAVLift into a smart lifting, dynamic tool.



# Rated Load Chart





# OFFROAD 1320

## Specifications

### Technical Data

Max Load Capacity	1320 lbs
Machine Weight (Without Counterweights)	1399 lbs
Machine Weight (With removable Counterweights installed)	2005 lbs
Jib Angle	125°
Maximum Permitted Slope	10°
Powered Lateral Sideshift	4"
Power Requirements	Battery: 110v/240v Charger Pump: 12v DC
Vacuum System	2 Vacuum Pumps 6 Cups

### Standard Features

- Lifting Unit electrically turns in all directions and telescopes to the front
- Synchronous Controls- automatically keeps a constant inclination angle of vacuum unit
- Advanced Articulated Joint- Allows for additional electric articulation of suction unit so it may swivel from the horizontal plane to overhead
- Adjustable Suction Frame
- Wired Remote Control
- Suitable for Overhead Lifting
- 4" Lateral Sideshift (left and right)
- 180° Suction Unit Rotation (manual left and right)
- 90° Slew of Vacuum Unit (left and right)
- Dual Vacuum Circuit with two pumps and two Vacuum Reserve Tanks
- Robotic Arm powered by electric actuators for precision control
- Operates on two 12v DC Rechargeable Batteries or while plugged into standard outlet

### Safety Features

- Overload Switch
- Stop Switch
- Vacuum Lost/Overloading Indicator

### Accessories

- Load Forks - Utilize your MAVLift for material handling
- Hook Adapter - Remove the cup system and add a lifting hook to your MAVLift
- Forklift Platform - Utilize your MAVLift as an extension of your forklift
- LED Light - LED with magnetic socket powered by the MAVLift's battery pack
- Loading Ramp - 8' x 3' load ramps for easy loading into a transport vehicle or trailer (2200 lbs max capacity)
- Weather Cover for MAVLift Offroad 1320

### Optional Features

- Electrical Rotation +/- 45° - In addition the unit can manually rotated 360° and fixable in four position- must be combined with Advanced Articulated Joint
- Electrical Slewing +/- 90° - Electrically powered slewing of suction frame- not combinable with electrical rotation- must be combined with Advanced Articulated Joint
- Electrical Additional Boom Extension- Adds 3' of electrically actuated Boom- must be combined with Advanced Articulated Joint
- Manual Boom Extension- Adds 3' of additional boom that is manually actuated with 5 pin positions- must be combined with Advanced Articulated Joint

*Product specifications are subject to change without notice. No specific training or license is required to operate the MAVLift in most areas, but operators are responsible for knowing and meeting all safety requirements and regulations. Not responsible for content errors.*



**MAVLift.com**