



ELEVATOR VERTICAL M500

Max Load
551 lbs

Vertical
Working Height
24' 7"



MAVLift.com

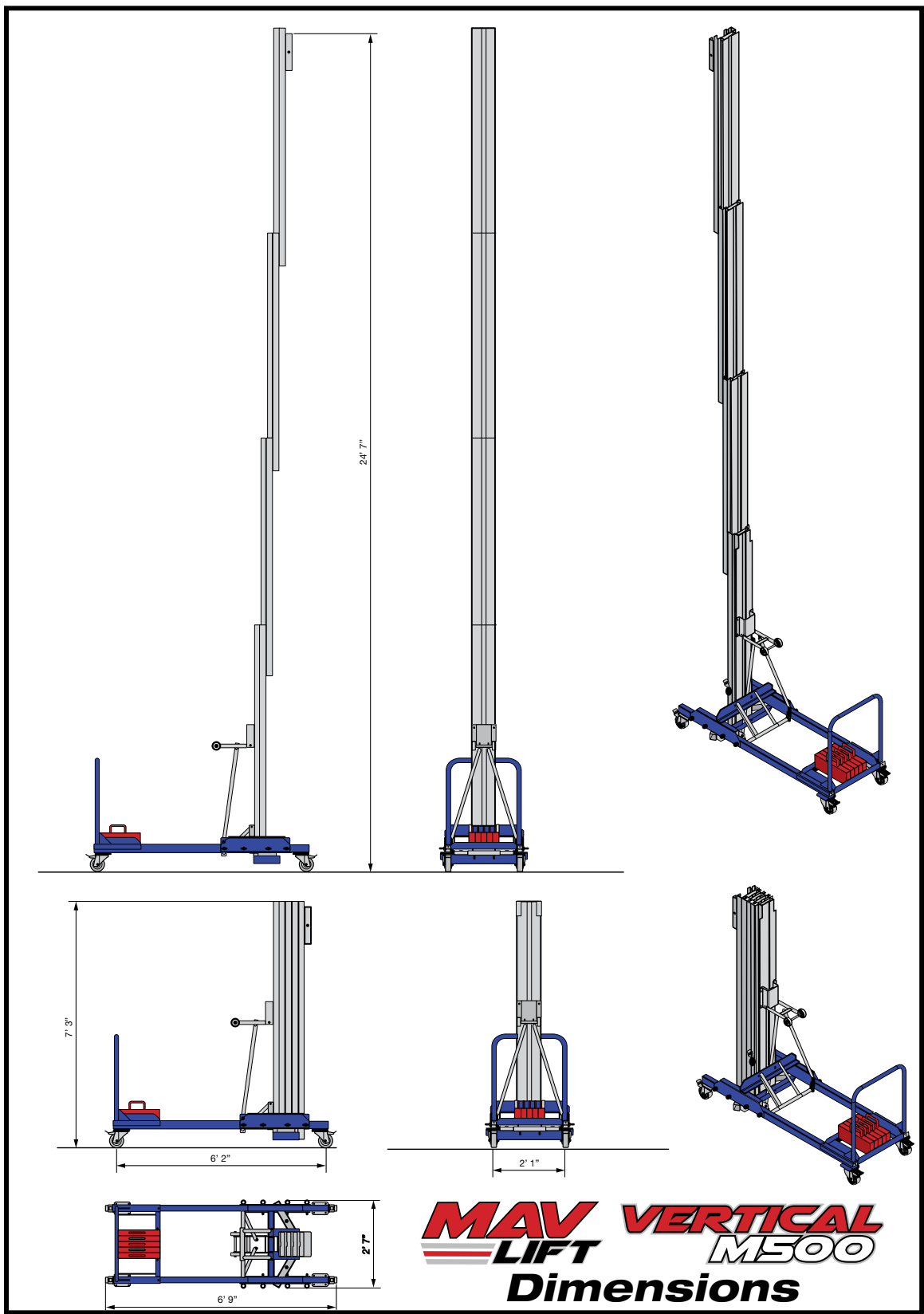
Never has setting glass or moving materials to a higher floor been easier. Utilize a MAVLift™ Elevator Vertical M500 Lift to lift materials or hang glazing cups as high as 24.5 feet.

The mast can be raised or lowered using the attached hand crank. For easy transport, the unit is easily compacted and re-assembled at the jobsite quickly.

Generally used with a hook and vacuum system attached, the MAVLift Elevator Vertical M500 can also be equipped with a load fork for lifting jobsite materials.



Dimensions



MAV VERTICAL
LIFT M500
Dimensions



ELEVATOR VERTICAL M500

Specifications

Technical Data

Max Load Capacity	551 lbs
Machine Weight (Without Counterweights)	495 lbs
Machine Weight (With removable Counterweights installed)	735 lbs
Vertical Working Height	24' 7"

Standard Features

- Suitable for Overhead Lifting
- Designed to fit in a standard elevator
- Operates manually - No power needed

Accessories

- Load Forks - Utilize your MAVLift for material handling
- Hook Adapter - Remove the cup system and add a lifting hook to your MAVLift

Product specifications are subject to change without notice. No specific training or license is required to operate the MAVLift in most areas, but operators are responsible for knowing and meeting all safety requirements and regulations. Not responsible for content errors.



MAVLift.com